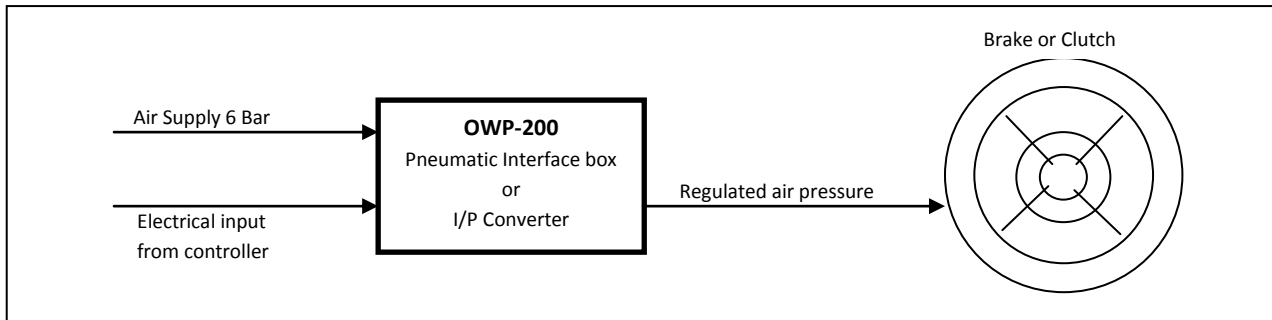


OWECON OWP-200 Pneumatic Series



The **OWECON OWP200 Series pneumatic interfaces** secure a logic and safe control of pneumatic brakes or clutches in the Foil and Paper Converting industry. The system consists of I/P converter, integrated digital manometer for output pressure reading and an optional range of 4 solenoid valves for controlling the number of friction modules active in the brake or clutch.

- ✓ Compact - small dimensions, large application range
- ✓ Easy to integrate with machines, designed to fit modern environment
- ✓ Cost / Performance effective – as little as possible, as much as necessary
- ✓ Shortest reaction time, high airflow
- ✓ Easy reading of brake – or clutch output pressure
- ✓ Logic and safe interface to OWECON and other web tension controllers

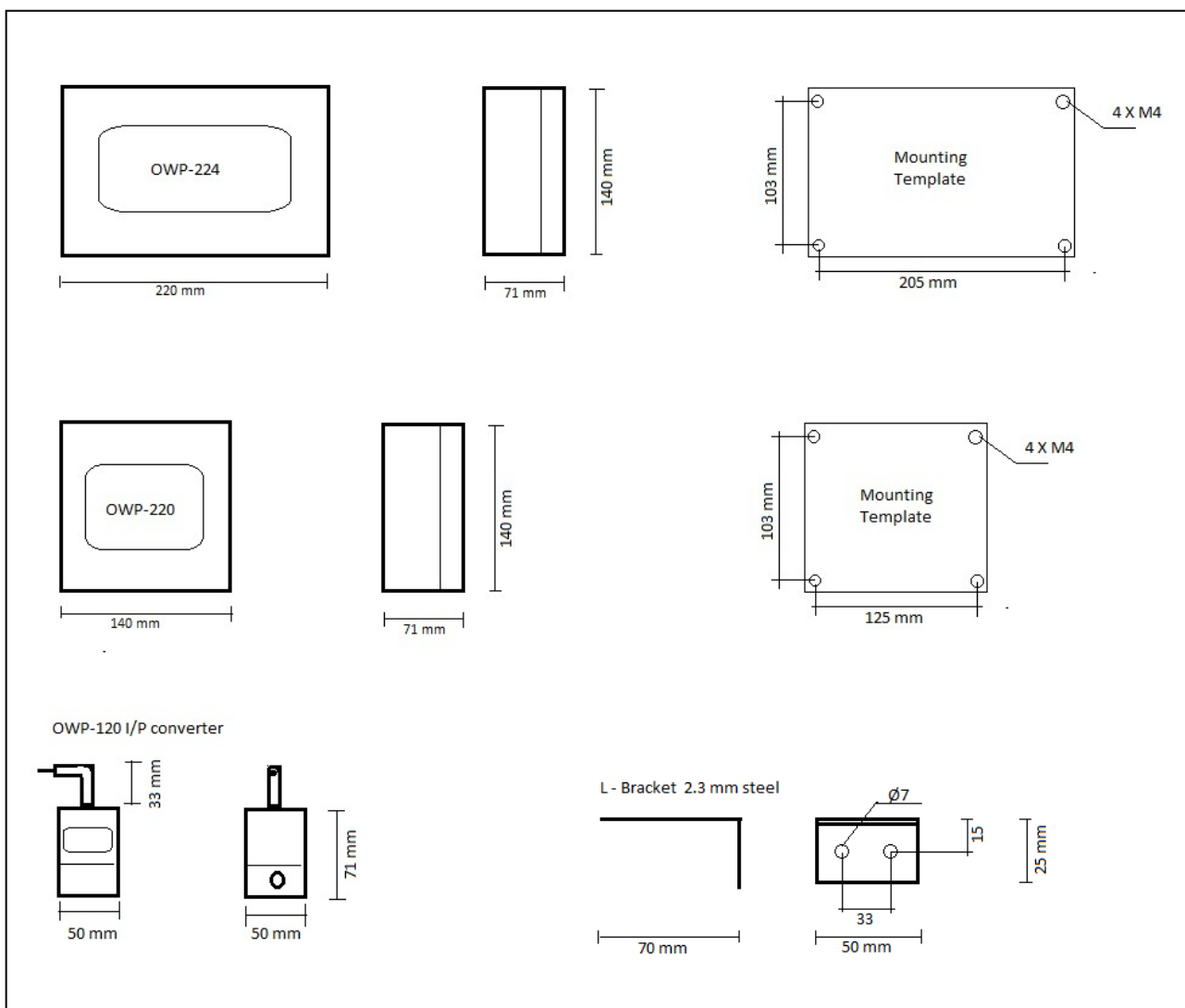


Applications:

The OWECON OWP200 are used as connecting interfaces with OWECON controllers and OWECON - or third party brakes and clutches in tension control systems on all types of web - process and converting machines.

Mechanical specifications

Outlines, mechanical dimensions:



Pneumatical specifications:

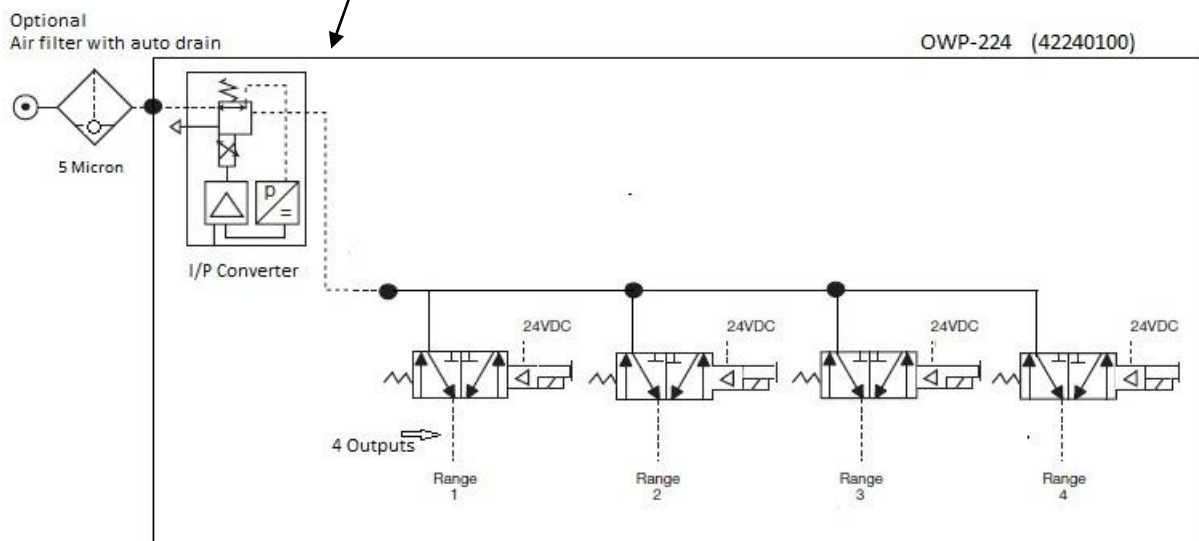
Pneumatic inlet pressure.....6 -9 Bar
 Pneumatic tube size inlet.....Ø 8mm
 Pneumatic tube size outlet.....Ø 6mm
 I/P converter flow.....200 l/min
 I/P converter pressure.....0-6 Bar
 I/P converter linearity.....within +/- 1% full span
 I/P converter repeatability.....within +/-0.5% full span
 I/P converter sensitivity.....within 0.2% full span
 I/P converter weight without options.....250g
 Solenoid valves flow.....329 l/min
 Emergency Stop Valve (optional) flow.....329 l/min
 Filtration (-w. optional OWECON AF filter -).....5 micron

Electrical specifications:

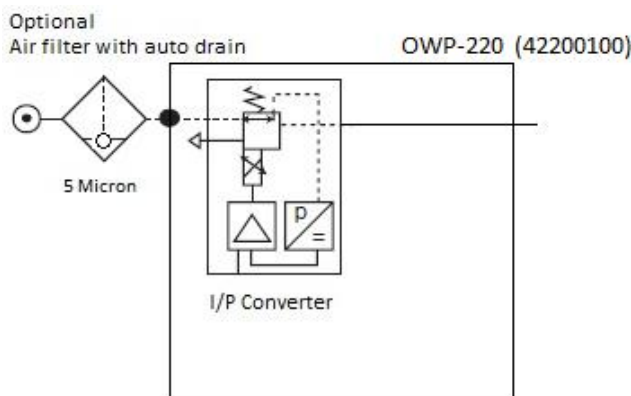
I/P converter Power supply.....24VDC +/- 10%
 Input signal.....4 to 20 mA
 Input impedance.....250 ohms or less
 Solenoid valves supply.....24 VDC
 Solenoid valves power consumption.....0.4 W

Pneumatics Diagram:

I/P converter features integrated digital manometer



Optional: Emergency Stop Valve for stop - handling in case of general power failure



Ordering Information for the OWP200 Series

<u>Type</u>	<u>Description</u>	<u>Part No.</u>	<u>Order</u> <input checked="" type="checkbox"/>
OWP-120	I/P Converter, 4-20 mA, 0-6 Bar	41200100	<input type="checkbox"/>
OWP-220	Pneumatic Interface Box, 4-20 mA, 0-6 Bar	42200100	<input type="checkbox"/>
OWP-224	Pneumatic Interface Box, 4-20 mA, 0-6 Bar, 4 Ranges	42240100	<input type="checkbox"/>

Optional for OWP-224 : Emergency Stop Valve for handling general power failure, on request

OWP-224E	Pneumatic Interface Box, 4 Ranges + E-Stop Valve	42240101	<input type="checkbox"/>
----------	--	----------	--------------------------

Accessories:

AF Air filter	90004001	<input type="checkbox"/>
For OWP-120: Cable std. 5 m/4 pole 2 plugs straight + angle	90080011	<input type="checkbox"/>
For OWP-220: Cable std. 5 m/4 pole 2 plugs straight	90080012	<input type="checkbox"/>
Cable std. 10 m/4 pole 2 plugs straight	90080013	<input type="checkbox"/>
For OWP-224: Cable std. 5 m/8 pole 2 plugs straight	90080014	<input type="checkbox"/>
Cable std. 10 m/8 pole 2 plugs straight	90080015	<input type="checkbox"/>