

FPCV - Flanged Poppet Check Valve

Description

The FPCV check valve embodies all the features of the WPCV valve, with bolted flanged ends, for use in the most demanding corrosive and toxic applications. The product is available for both standard DIN PN 10/16 and ANSI 150.

Product features

- Design suitable for both horizontal and vertical installation
- Flanged connection for installations not compatible with the wafer design
- All the features of the WPCV
- Standard face to face dimensions
- Poppet lift pressure (cracking) 14mbar - but customized ratings available

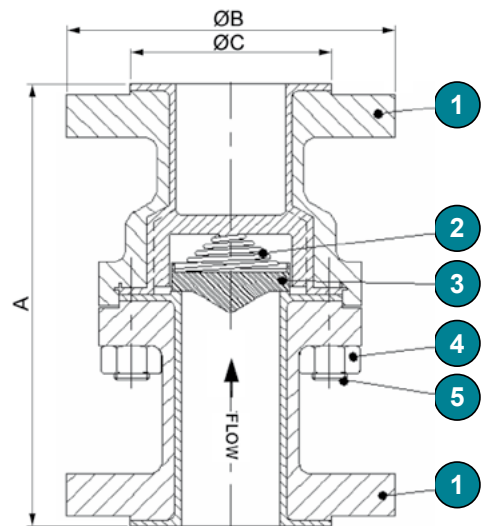


Material specification

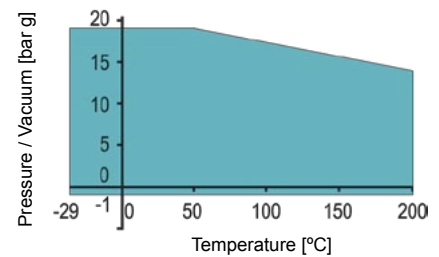
Item	Qty	Description	Materials	Specification	DIN equivalent material
1	1	Valve body	Carbon steel / PFA	ASTM A216 Gr. WCB / PFA	1.0619 / PFA
2	1	Spring	Hastelloy C276	ASTM B574 Gr UNS N10276	2.4819
3	1	Poppet	PTFE	BS6564 UA1/1	-
4	4 / 6	Nut	Stainless steel	ASTM F594 Gr. 304	1.4301
5	4 / 6	Stud	Stainless steel	BS970 Pt 1 Gr 303S42	1.4305
		Paint finish	75µ, RAL 5021	Epoxy coating	-
		PFA lining	ASTM D 3307		

Dimensions

To suit pipework		Face to face	Flange diameter	Raised face	Weight
ASME 150 Piping systems					
Inches	mm	A	B	C	kg
1	25	152	108	51	3
1½	40	178	127	73	7
2	50	203	152	92	10
3	80	241	190	127	18
4	100	292	229	152	28
DIN PN10/16 Piping systems					
Inches	mm	A	B	C	kg
1	25	160	115	51	4
1½	40	200	150	73	7
2	50	230	165	92	10
3	80	310	200	127	20
4	100	350	220	152	30



Pressure / Temperature Diagram



FPCV - Flanged Poppet Check Valve

Options

Component	Description
Body	Stainless steel
Length	Special face to face dimensions
Spring	Alternative pressure ratings
	PTFE encapsulated
	Alternative spring materials
	Spring removed (floating poppet)



Type code

FPCV	080	.	3	3	.	3HT	.	T	.	S
1	2	3	4	5	6	7				

1	Type	FPCV	Flanged Poppet Check Valve
2	Nominal diameter	015 - 100	mm
3	Working pressure	3	16 bar
4	Rating	3	PN10/16
		A	ASTM Class 150
			others on request
5	Body	3HT	Carbon steel / PFA
		4MT	Stainless steel / PFA
6	Poppet	T	PTFE
7	Spring		without spring (floating poppet)
		S	Hastelloy C276

InterApp AG
Grundstrasse 24
CH-6343 Rotkreuz
Phone +41 (0) 41 798 22 33
Fax +41 (0) 41 798 22 34
info@ch.interapp.net

InterApp Germany
Hochsträss 3
D-78727 Oberndorf am Neckar
Phone +49 (0) 771 896 689 30
Fax +49 (0) 771 896 689 35
info@de.interapp.net

InterApp Austria
Kolpingstrasse 19
A-1230 Wien
Phone +43 (0) 1 616 2371-0
Fax +43 (0) 1 616 2371-99
info@at.interapp.net

InterApp Italy
Via Gramsci 29
I-20016 Pero (MI)
Phone +39 02 33 93 71
Fax +39 02 33 93 7200
info@it.interapp.net

InterApp Spain
Juan Ramón Jiménez, 16
E-28860 Paracuellos de Jarama
Phone +34 (0) 91 658 48 83
Fax +34 (0) 91 658 14 30
info@es.interapp.net

InterApp France
La Picoterie
F-14400 Arganchy
Phone +33 (0) 67 436 61 34
Fax +33 (0) 23 121 18 95
info@fr.interapp.net

InterApp Hungary
Bécsi út 100
H-1034 Budapest
Phone +36 (1) 436 97 02
Fax +36 (1) 436 97 00
info@hu.interapp.net

The technical data are noncommittal and do not assure you of any properties. Please refer to our general sales conditions. Modifications without notice.

© 2009 InterApp AG, all rights reserved