

## FKO

PP butterfly valve d50-315 (DN40-300)



## FKO PP butterfly valve d50-315 (DN40-300)

### ● Characteristics:

<b>FKOM</b>	Disc PP (standard execution)	Centric PP butterfly valve with elastomer liner EPDM or Viton <sup>®</sup> (FPM)
<b>FKOC</b>	Disc PVC-C	
<b>FKOF</b>	Disc PVDF	
<b>Application fields</b>	for water and harmless fluids to which the material is resistant	
<b>Face to face dimension</b>	DN040-200: ISO 5752/25, EN 558/1-25 DN250-300: ISO 5752/16, EN 558/1-16	
<b>Top flange</b>	according to EN ISO 5211	
<b>Max. working pressure</b>	DN40-250 10 bar, DN300 8 bar	
<b>Rating</b>	PN10 (DN40-300), PN16 (DN40-150), ANSI cl. 150 (DN40-200)	

### ● Construction:

**DN40-50**

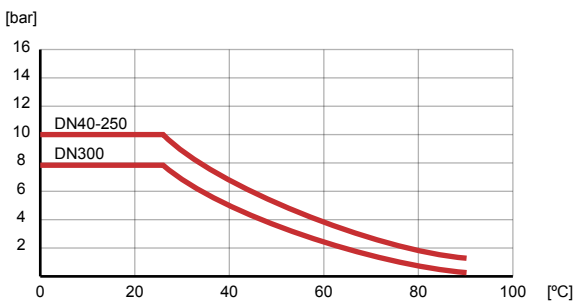
**DN65-200**

**DN250-300**

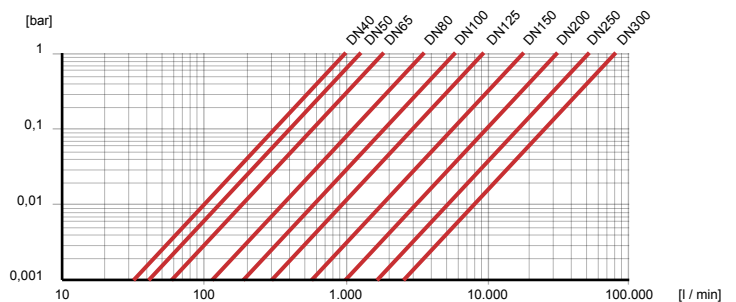
1	Insert	ABS	11	Washer	Stainless steel	21	Screw	Stainless steel
2	Handle	PVC	12	Nut	Stainless steel	22	Washer	Stainless steel
3	Protection cap	PE	13	Seeger ring	Stainless steel	23	Anti-friction ring	PTFE
4	Screw	Stainless steel	14	Shaft	Stainless steel	24	Disc O-ring	EPDM or Viton <sup>®</sup>
5	Washer	Stainless steel	15	Bush O-ring	EPDM or Viton <sup>®</sup>	25	Disk	PP,PVC-C,PVDF
6	Flange	PP-GR	16	Bush	Nylon	26	Liner	EPDM or Viton <sup>®</sup>
7	Screw	Stainless steel	17	Shaft O-ring	EPDM or Viton <sup>®</sup>	27	Inserts	ABS
8	Screw	Stainless steel	18	Shaft O-ring	EPDM or Viton <sup>®</sup>	28	Plug	PE
9	Ratchet	Stainless steel	19	Body	PP-GR			
10	Pad	PP-GR	20	Protection cap	PE			

1	Body	PP-GR	11	Washer	Stainless steel
2	Washer	Stainless steel	12	Washer	Stainless steel
3	Bush	PP	13	Protection cap	PE
4	Bush O-Ring	EPDM or Viton <sup>®</sup>	14	Screw	Stainless steel
5	Bush	PP	15	Washer	Stainless steel
6	Washer	PTFE	16	Shaft	Stainless steel
7	Liner	EPDM or Viton <sup>®</sup>	17	Shaft O-Ring	EPDM or Viton <sup>®</sup>
8	Anti-friction ring	PTFE	18	Seeger ring	Stainless steel
9	Disc O-Ring	EPDM or Viton <sup>®</sup>	19	O-Ring	EPDM or Viton <sup>®</sup>
10	Disc	PP,PVC-C,PVDF			

### ● Pressure- / temperature diagram:



### ● Pressure loss diagram:



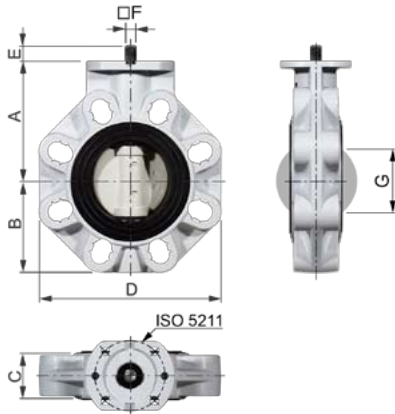
### ● kv values:

DN / d	kv [l/min]	DN / d	kv [l/min]
40 / 50	1.000	125 / 140	9.850
50 / 63	1.285	150 / 160	18.700
65 / 75	1.700	200 / 225	30.500
80 / 90	3.550	250 / 280	53.200
100 / 110	5.900	300 / 315	81.600

## FKO PP butterfly valve d50-315 (DN40-300)

### • Dimensions:

#### With bare shaft



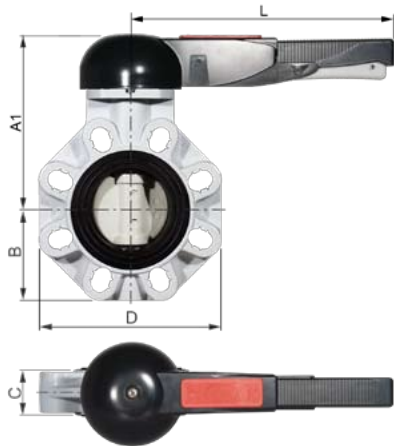
Before installing the valve it is suggested to check that stubs internal diameter allows the complete disc opening (**note dimension G!**)

	d	DN	A	B	C	D	E	F	G	ISO5211	[kg]
<b>FKOM 050 03</b>	50	40	94	60	33	132	24	11	25	F05	0,57
<b>FKOM 063 03</b>	63	50	100	70	43	147	24	11	28	F05	0,75
<b>FKOM 075 03</b>	75	65	107	80	46	165	24	11	47	F05/F07	1,00
<b>FKOM 090 03</b>	90	80	121	93	49	185	28	14	64	F07	1,40
<b>FKOM 110 03</b>	110	100	135	107	56	211	28	14	84	F07	1,75
<b>FKOM 125 03*</b>	125	125	155	120	64	240	31	17	108	F07	2,55
<b>FKOM 140 03</b>	140	125	155	120	64	240	31	17	108	F07	2,55
<b>FKOM 160 03</b>	160	150	168	134	70	268	31	17	134	F07	3,30
<b>FKOM 225 03</b>	225	200	227	161	71	323	36	22	187	F10	6,0
<b>FKOM 280 03</b>	280	250	248	210	114	405	29	27	225	F10/12/14	12,0
<b>FKOM 315 03</b>	315	300	305	245	114	475	29	27	280	F10/12/14	19,0

Code **03** = with EPDM liner  
Code **02** = with Viton<sup>®</sup> liner

\* FKO 125 is the same as FKO 140 but with special stubs d125 DN125 to be mounted with flange d140 DN125

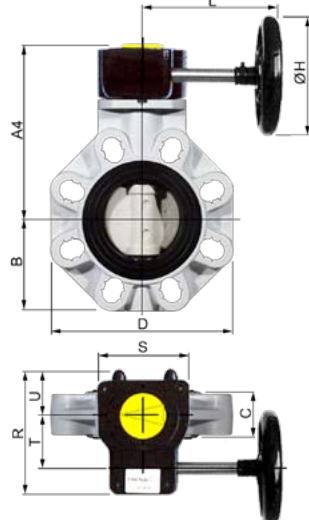
#### With hand lever



	d	DN	A1	B	C	D	L	[kg]
<b>FKOM 050 03</b>	50	40	137	60	33	132	175	0,90
<b>FKOM 063 03</b>	63	50	143	70	43	147	175	1,08
<b>FKOM 075 03</b>	75	65	164	80	46	165	272	1,47
<b>FKOM 090 03</b>	90	80	178	93	49	185	272	1,87
<b>FKOM 110 03</b>	110	100	192	107	56	211	272	2,22
<b>FKOM 125 03</b>	125	125	212	120	64	240	330	3,10
<b>FKOM 140 03</b>	140	125	212	120	64	240	330	3,10
<b>FKOM 160 03</b>	160	150	225	134	70	268	330	3,85
<b>FKOM 225 03</b>	225	200	272	161	71	323	420	6,75

Code **03** = with EPDM liner  
Code **02** = with Viton<sup>®</sup> liner

#### With gear box



#### GB232: Aluminium, Polyurethan coated

	d	DN	A4	B	C	D	L	ØH	R	S	T	U	n*	[kg]
FKOM 050 03 + GB232-05.F05-F0711.100	50	40	146	60	33	132	109	100	110,5	80	42,5	44,5	10	1,4
FKOM 063 03 + GB232-05.F05-F0711.100	63	50	152	70	43	147	109	100	110,5	80	42,5	44,5	10	1,6
FKOM 075 03 + GB232-05.F05-F0711.100	75	65	159	80	46	165	109	100	110,5	80	42,5	44,5	10	1,8
FKOM 090 03 + GB232-05.F05-F0714.100	90	80	173	93	49	185	109	100	110,5	80	42,5	44,5	10	2,2
FKOM 110 03 + GB232-05.F05-F0714.100	110	100	187	107	56	211	109	100	110,5	80	42,5	44,5	10	2,6
FKOM 125 03 + GB232-07.F0717.160	125	125	207	120	64	240	109	160	133	100	50	58	9,25	4,4
FKOM 140 03 + GB232-07.F0717.160	140	125	207	120	64	240	109	160	133	100	50	58	9,25	4,4
FKOM 160 03 + GB232-07.F0717.160	160	150	220	134	70	268	109	160	133	100	50	58	9,25	5,1
FKOM 225 03 + GB232-10.F1022.250	225	200	302	161	71	323	205	250	177,5	148	60	82,5	11,25	9,3
FKOM 280 03 + GB232-12.F1227.315	280	250	336	210	114	405	229	315	218	175	80	91	10	19
FKOM 315 03 + GB232-12.F1227.315	315	300	393	245	114	475	229	315	218	175	80	91	10	26

Code **03** = with EPDM liner  
Code **02** = with Viton<sup>®</sup> liner

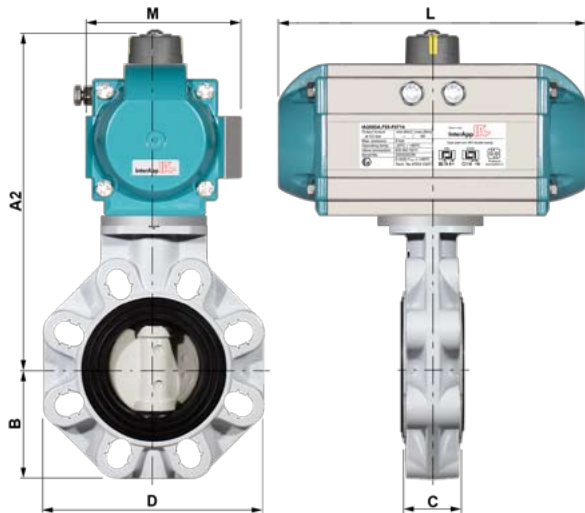
\* n = Handwheel turns ON/OFF

## FKO PP butterfly valve d50-315 (DN40-300)

### ● Dimensions:

#### With pneumatic actuator

Selection of actuator for 6 bar air supply



#### Double acting actuator

	d	DN	A2	B	C	D	L	M	[kg]
FKOM 050 03 + IA100D.F05-F0711	50	40	209	60	33	132	154	91,5	2,27
FKOM 063 03 + IA100D.F05-F0711	63	50	215	70	43	147	154	91,5	2,45
FKOM 075 03 + IA100D.F05-F0711	75	65	222	80	46	165	154	91,5	2,70
FKOM 090 03 + IA100D.F05-F0714	90	80	236	93	49	185	154	91,5	3,10
FKOM 110 03 + IA200D.F05-F0714	110	100	267	107	56	211	204	105	4,65
FKOM 125 03 + IA200D.F05-F0717	125	125	287	120	64	240	204	105	5,45
FKOM 140 03 + IA200D.F05-F0717	140	125	287	120	64	240	204	105	5,45
FKOM 160 03 + IA250D.F05-F0717	160	150	313	134	70	268	241	118,5	7,40
FKOM 225 03 + IA300D.F07-F1022	225	200	384	161	71	323	259	130,5	11,6
FKOM 280 03 + IA400D.F07-F1027	280	250	435	210	114	405	333	159	23,0
FKOM 315 03 + IA450D.F10-F1227	315	300	512	245	114	475	395	182,5	34,0

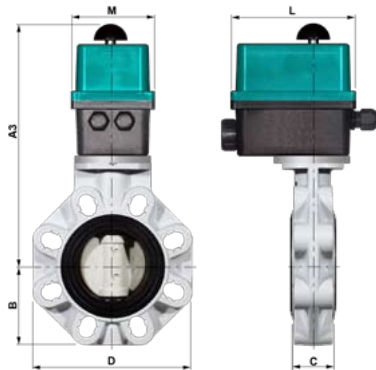
#### Single acting actuator

	d	DN	A2	B	C	D	L	M	[kg]
FKOM 050 03 + IA200S12.F05-F0714 (R11)	50	40	226	80	46	165	204	105	3,87
FKOM 063 03 + IA200S12.F05-F0714 (R11)	63	50	232	80	46	165	204	105	4,05
FKOM 075 03 + IA200S12.F05-F0714 (R11)	75	65	239	80	46	165	204	105	4,30
FKOM 090 03 + IA200S12.F05-F0714	90	80	253	93	49	185	204	105	4,70
FKOM 110 03 + IA250S12.F05-F0717 (R14)	110	100	280	107	56	211	241	118,5	6,45
FKOM 125 03 + IA300S12.F07-F1017	125	125	312	120	64	240	259	130,5	9,05
FKOM 140 03 + IA300S12.F07-F1017	140	125	312	120	64	240	259	130,5	9,05
FKOM 160 03 + IA350S12.F07-F1017	160	150	353	134	70	268	304	148,5	13,3
FKOM 225 03 + IA450S12.F10-F1227 (R22)	225	200	444	161	71	323	395	182,5	24,0
FKOM 280 03 + IA550S12.F10-F1227	280	250	528	210	114	405	473	223	45,0
FKOM 315 03 + IA550S12.F10-F1227	315	300	585	245	114	475	473	223	52,0

Code **03** = with EPDM liner  
Code **02** = with Viton® liner

#### With electric actuator

230V50Hz, 1 phase, IP65



	d	DN	A3	B	C	D	L	M	[kg]
FKOM 050 03 + ER35-100-240/AC-035-F05-F0711	50	40	251	80	46	165	136	92	2,07
FKOM 063 03 + ER35-100-240/AC-035-F05-F0711	63	50	257	80	46	165	136	92	2,25
FKOM 075 03 + ER35-100-240/AC-035-F05-F0711	75	65	264	80	46	165	136	92	2,50
FKOM 090 03 + ER35-100-240/AC-035-F05-F0714	90	80	278	93	49	185	136	92	2,90
FKOM 110 03 + ER60-100-240/AC-060-F05-F0714	110	100	320	107	56	211	151	128	4,75
FKOM 125 03 + ER100-100-240/AC-100-F05-F0717	125	125	340	120	64	240	151	128	5,55
FKOM 140 03 + ER100-100-240/AC-100-F05-F0717	140	125	340	120	64	240	151	128	5,55

Code **03** = with EPDM liner  
Code **02** = with Viton® liner

Other tensions on request

#### Switzerland

InterApp AG  
Grundstrasse 24  
CH-6343 Rotkreuz

Tel. +41 (0)41 798 22 33  
Fax +41 (0)41 798 22 34  
info@ch.interapp.net

#### Germany

InterApp Deutschland GmbH  
Hochsträss 3  
D-78727 Oberndorf am Neckar

Tel. +49 (0)771 896689 30  
Fax +49 (0)771 896689 35  
info@de.interapp.net

#### Austria

InterApp Ges.m.b.H.  
Kolpingstraße 19  
A-1230 Wien

Tel. +43 (0)1 616 23 71 0  
Fax +43 (0)1 616 23 71 99  
info@at.interapp.net

#### Spain

InterApp Válvulas S.A.  
Juan Ramón Jiménez, 16  
E-28860 Paracuellos de Jarama

Tel. +34 (0)91 6584883  
Fax +34 (0)91 6581430  
info@es.interapp.net

#### Italy

InterApp Italiana S.r.l.  
Via A. Gramsci 29  
I-20016 Pero (Milano)

Tel. +39 02 33937 1  
Fax +39 02 33937 200  
info@it.interapp.net

#### Hungary

InterApp Kft  
Bécsi út 100  
H-1034 Budapest

Tel. +36 (1) 436 9702  
Fax +36 (1) 436 9700  
info@hu.interapp.net

The technical data are noncommittal and do not assure you of any properties. Please refer to our general sales conditions. Modifications without notice.