

## FEOV

PVC butterfly valve d50-225 (DN40-200)

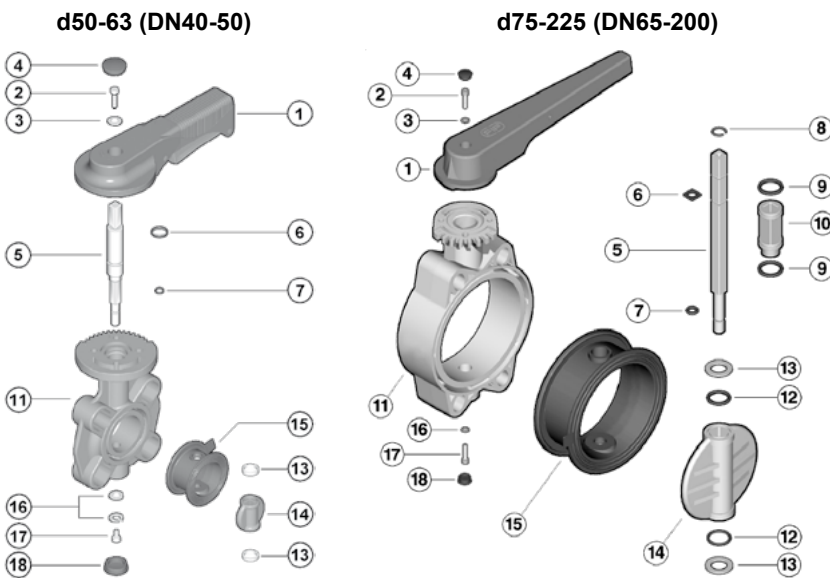


## FEOV PVC butterfly valve d50-225 (DN40-200)

### ● Characteristics:

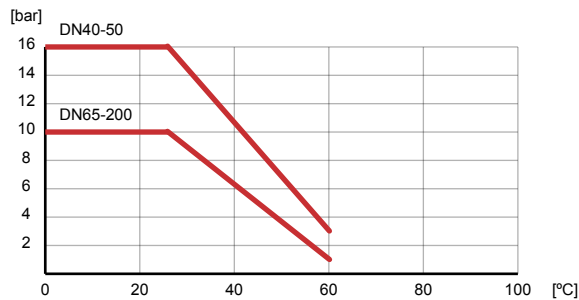
<b>FEOV</b>	Centric PVC butterfly valve with elastomer liner EPDM or Viton <sup>®</sup> (FPM)
<b>Application fields</b>	for water and harmless fluids to which the material is resistant
<b>Face to face dimension</b>	according to ISO 5752/25, EN 558/1-25
<b>Top flange</b>	according to EN ISO 5211
<b>Max. working pressure</b>	DN40-50 16 bar, DN65-200 10 bar,
<b>Rating</b>	PN10, PN16, ANSI cl. 150
<b>Temperature range</b>	0°C ÷ 60°C

### ● Construction:

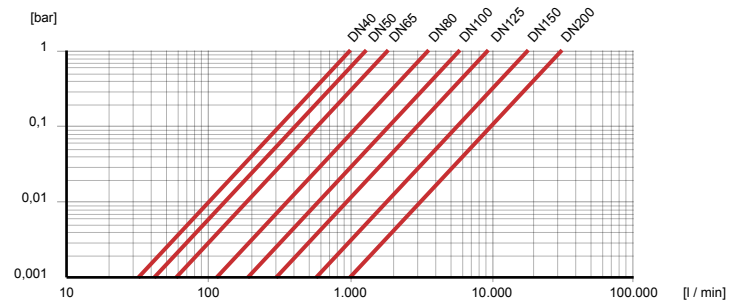


1	Handle	PVC
2	Screw	Stainless steel
3	Washer	Stainless steel
4	Protection cap	PE
5	Shaft	Zincplated steel
6	Shaft O-ring	EPDM or FPM
7	Shaft O-ring	EPDM or FPM
8	Seeger ring	Stainless steel
9	Bush O-ring	EPDM or FPM
10	Bush	Nylon
11	Body	PVC
12	Disc O-ring	EPDM or FPM
13	Anti-friction ring	PTFE
14	Disc	PVC
15	Liner	EPDM or FPM
16	Washer	Stainless steel
17	Screw	Stainless steel
18	Protection cap	PE

### ● Pressure- / temperature diagram:



### ● Pressure loss diagram:



### ● kv values:

DN / d	kv [l/min]
40 / 50	1.000
50 / 63	1.285
65 / 75	1.700
80 / 90	3.550
100 / 110	5.900
125 / 140	9.850
150 / 160	18.700
200 / 225	30.500

## FEOV PVC butterfly valve d50-225 (DN40-200)

### • Dimensions:

#### With bare shaft



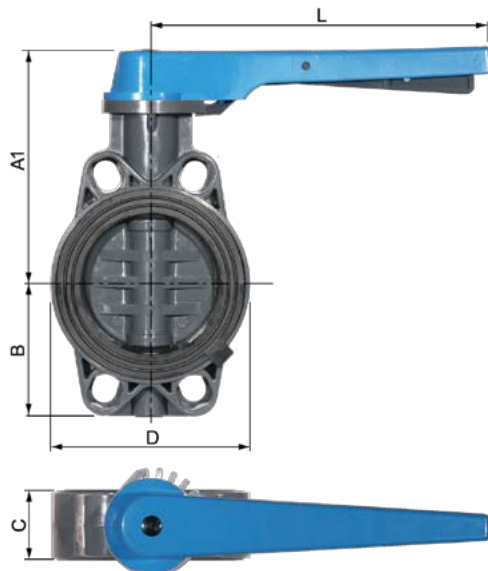
Before installing the valve it is suggested to check that stubs internal diameter allows the complete disc opening (**note dimension G!**)

	d	DN	A	B	C	D	E	F	G	ISO5211
<b>FEOV 050 03</b>	50	40	106	60	33	132	12	11	25	F05
<b>FEOV 063 03</b>	63	50	112	70	43	147	12	11	28	F05
<b>FEOV 075 03</b>	75	65	119	80	46	165	12	11	47	F05/F07
<b>FEOV 090 03</b>	90	80	133	90	49	130	16	14	64	F07
<b>FEOV 110 03</b>	110	100	147	105	56	150	16	14	84	F07
<b>FEOV 125 03*</b>	125	125	167	121	64	185	19	17	108	F07
<b>FEOV 140 03</b>	140	125	167	121	64	185	19	17	108	F07
<b>FEOV 160 03</b>	160	150	180	132	70	210	19	17	134	F07
<b>FEOV 225 03</b>	225	200	227	161	71	325	24	22	187	F10

Code **03** = with EPDM liner  
Code **02** = with Viton® liner

\* FEOV 125 is the same as FEOV 140 but with special stubs d125 DN125 to be mounted with flange d140 DN125

#### With hand lever



	d	DN	A1	B	C	D	L	[kg]
<b>FEOV 050 03</b>	50	40	136	60	33	132	175	0,827
<b>FEOV 063 03</b>	63	50	143	70	43	147	175	1,012
<b>FEOV 075 03</b>	75	65	168	80	46	165	250	1,42
<b>FEOV 090 03</b>	90	80	182	90	49	130	250	1,64
<b>FEOV 110 03</b>	110	100	196	105	56	150	250	1,99
<b>FEOV 125 03</b>	125	125	215	121	64	185	335	3,03
<b>FEOV 140 03</b>	140	125	215	121	64	185	335	3,03
<b>FEOV 160 03</b>	160	150	229	132	70	210	335	3,73
<b>FEOV 225 03</b>	225	200	309	161	71	325	425	8,24

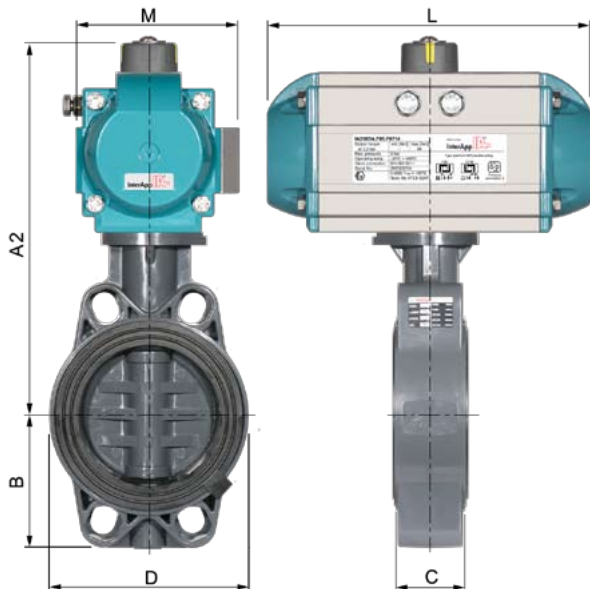
Code **03** = with EPDM liner  
Code **02** = with Viton® liner

## FEOV PVC butterfly valve d50-225 (DN40-200)

### ● Dimensions:

#### With pneumatic actuator

Selection of actuator for 6 bar air supply



#### Double acting actuator

	d	DN	A2	B	C	D	L	M	[kg]
FEOV 050 03 + IA100D.F05-F0711	50	40	211	60	33	132	154	91,5	2,5
FEOV 063 03 + IA100D.F05-F0711	63	50	217	70	43	147	154	91,5	2,7
FEOV 075 03 + IA100D.F05-F0711	75	65	224	80	46	165	154	91,5	3,1
FEOV 090 03 + IA100D.F05-F0714	90	80	238	90	49	130	154	91,5	3,3
FEOV 110 03 + IA200D.F05-F0714	110	100	269	105	56	150	204	105	4,9
FEOV 125 03 + IA200D.F05-F0717	125	125	289	121	64	185	204	105	5,9
FEOV 140 03 + IA200D.F05-F0717	140	125	289	121	64	185	204	105	5,9
FEOV 160 03 + IA250D.F05-F0717	160	150	315	132	70	210	241	118,5	7,8
FEOV 225 03 + IA300D.F07-F1022	225	200	374	161	71	325	259	130,5	13,8

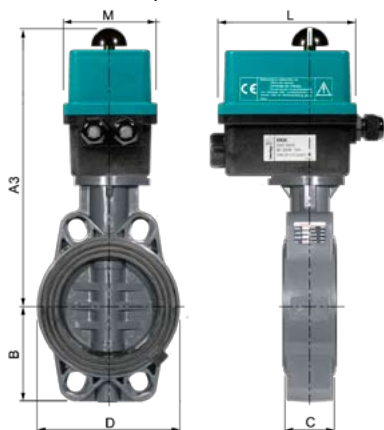
#### Single acting actuator

	d	DN	A2	B	C	D	L	M	[kg]
FEOV 050 03 + IA100S12.F05-F0711	50	40	211	60	33	132	154	91,5	2,7
FEOV 063 03 + IA100S12.F05-F0711	63	50	217	70	43	147	154	91,5	2,9
FEOV 075 03 + IA200S12.F05-F0714 (R11)	75	65	241	80	46	165	204	105	4,7
FEOV 090 03 + IA200S12.F05-F0714	90	80	255	90	49	130	204	105	4,9
FEOV 110 03 + IA250S12.F05-F0717 (R14)	110	100	282	105	56	150	241	118,5	6,7
FEOV 125 03 + IA300S12.F07-F1017	125	125	314	121	64	185	259	130,5	9,5
FEOV 140 03 + IA300S12.F07-F1017	140	125	314	121	64	185	259	130,5	9,5
FEOV 160 03 + IA350S12.F07-F1017	160	150	355	132	70	210	304	148,5	13,7
FEOV 225 03 + IA450S12.F10-F1227 (R22)	225	200	434	161	71	325	395	182,5	26,2

Code **03** = with EPDM liner  
Code **02** = with Viton® liner

#### With electric actuator

230V50Hz, 1 phase, IP65



	d	DN	A3	B	C	D	L	M	[kg]
FEOV 050 03 + ER20-100-240/AC-020-F03-F04-F0511	50	40	253	60	33	132	136	92	2,3
FEOV 063 03 + ER35-100-240/AC-035-F05-F0711	63	50	259	70	43	147	136	92	2,5
FEOV 075 03 + ER35-100-240/AC-035-F05-F0711	75	65	266	80	46	165	136	92	2,9
FEOV 090 03 + ER35-100-240/AC-035-F05-F0714	90	80	280	90	49	130	136	92	3,1
FEOV 110 03 + ER60-100-240/AC-060-F05-F0714	110	100	322	105	56	150	151	128	5,0
FEOV 125 03 + ER100-100-240/AC-100-F05-F0717	125	125	342	121	64	185	151	128	6,0
FEOV 140 03 + ER100-100-240/AC-100-F05-F0717	140	125	342	121	64	185	151	128	6,0

Code **03** = with EPDM liner  
Code **02** = with Viton® liner

Other tensions on request

#### Switzerland

InterApp AG  
Grundstrasse 24  
CH-6343 Rotkreuz

Tel. +41 (0)41 798 22 33  
Fax +41 (0)41 798 22 34  
info@ch.interapp.net

#### Germany

InterApp Deutschland GmbH  
Hochsträss 3  
D-78727 Oberndorf am Neckar

Tel. +49 (0)771 896689 30  
Fax +49 (0)771 896689 35  
info@de.interapp.net

#### Austria

InterApp Ges.m.b.H.  
Kolpingstraße 19  
A-1230 Wien

Tel. +43 (0)1 616 23 71 0  
Fax +43 (0)1 616 23 71 99  
info@at.interapp.net

#### Spain

InterApp Válvulas S.A.  
Juan Ramón Jiménez, 16  
E-28860 Paracuellos de Jarama

Tel. +34 (0)91 6584883  
Fax +34 (0)91 6581430  
info@es.interapp.net

#### Italy

InterApp Italiana S.r.l.  
Via A. Gramsci 29  
I-20016 Pero (Milano)

Tel. +39 02 33937 1  
Fax +39 02 33937 200  
info@it.interapp.net

#### Hungary

InterApp Kft  
Bécsi út 100  
H-1034 Budapest

Tel. +36 (1) 436 9702  
Fax +36 (1) 436 9700  
info@hu.interapp.net

The technical data are noncommittal and do not assure you of any properties. Please refer to our general sales conditions. Modifications without notice.