

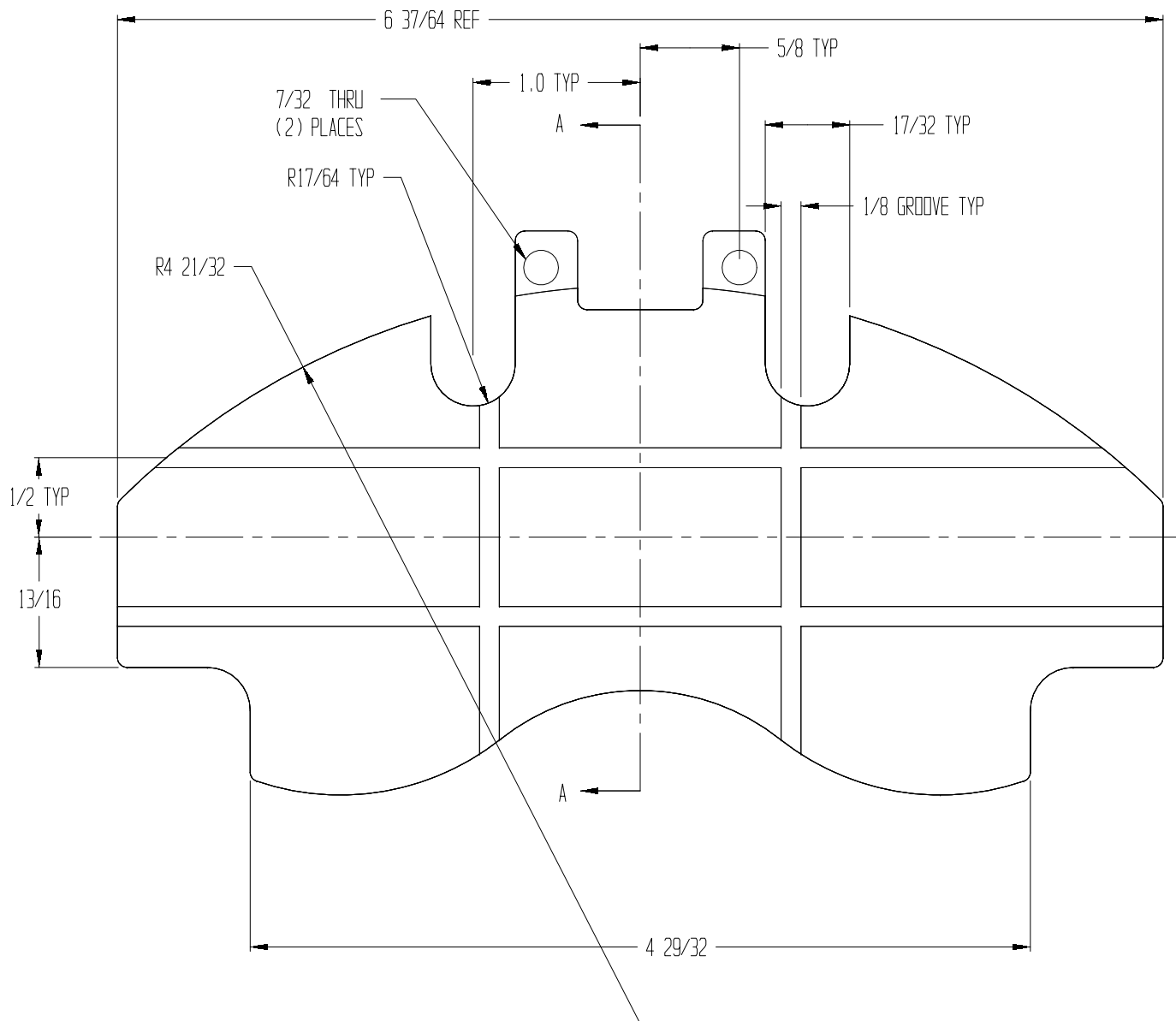
4

3

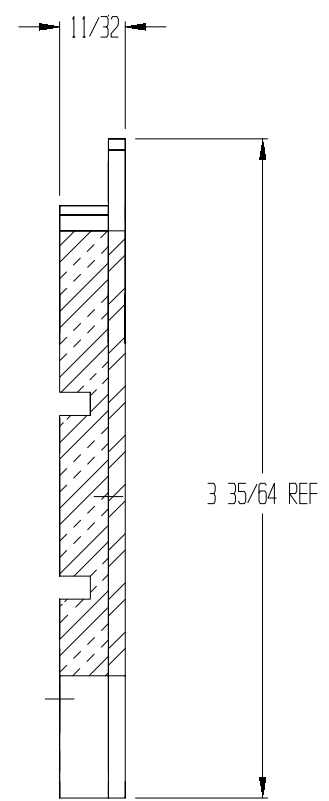
2

1

REVISIONS			
REV	DESCRIPTION	DATE	APPROVED



SECTION A-A



© SelectPart Incorporated, 2003. All Rights Reserved.  
 Any use of this drawing or the information contained herein for a purpose other than as expressly authorized by SelectPart Inc. is expressly prohibited.



PART DESCRIPTION: SELECTPART FRICTION PAD "HPB"					
DRAWN BY: MNL	SIZE: C	PRT NO: HPB-PAD	DWG NO: HPB-PAD	REV: -	
DATE: 6 FEB 03	SCALE: NONE	MATERIAL: VARIOUS	SHEET: 1 OF 1		

4

3

2

1