

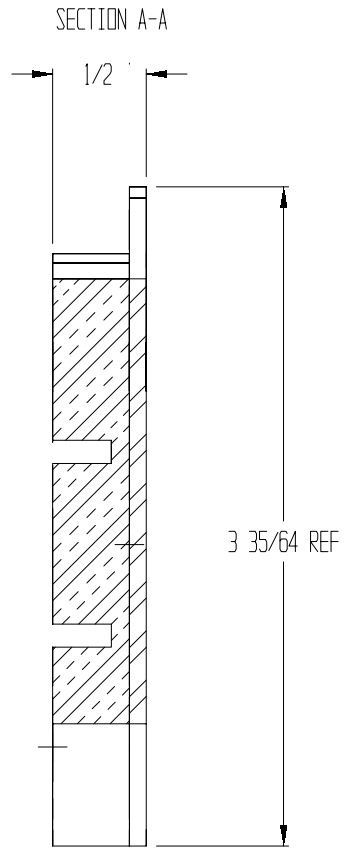
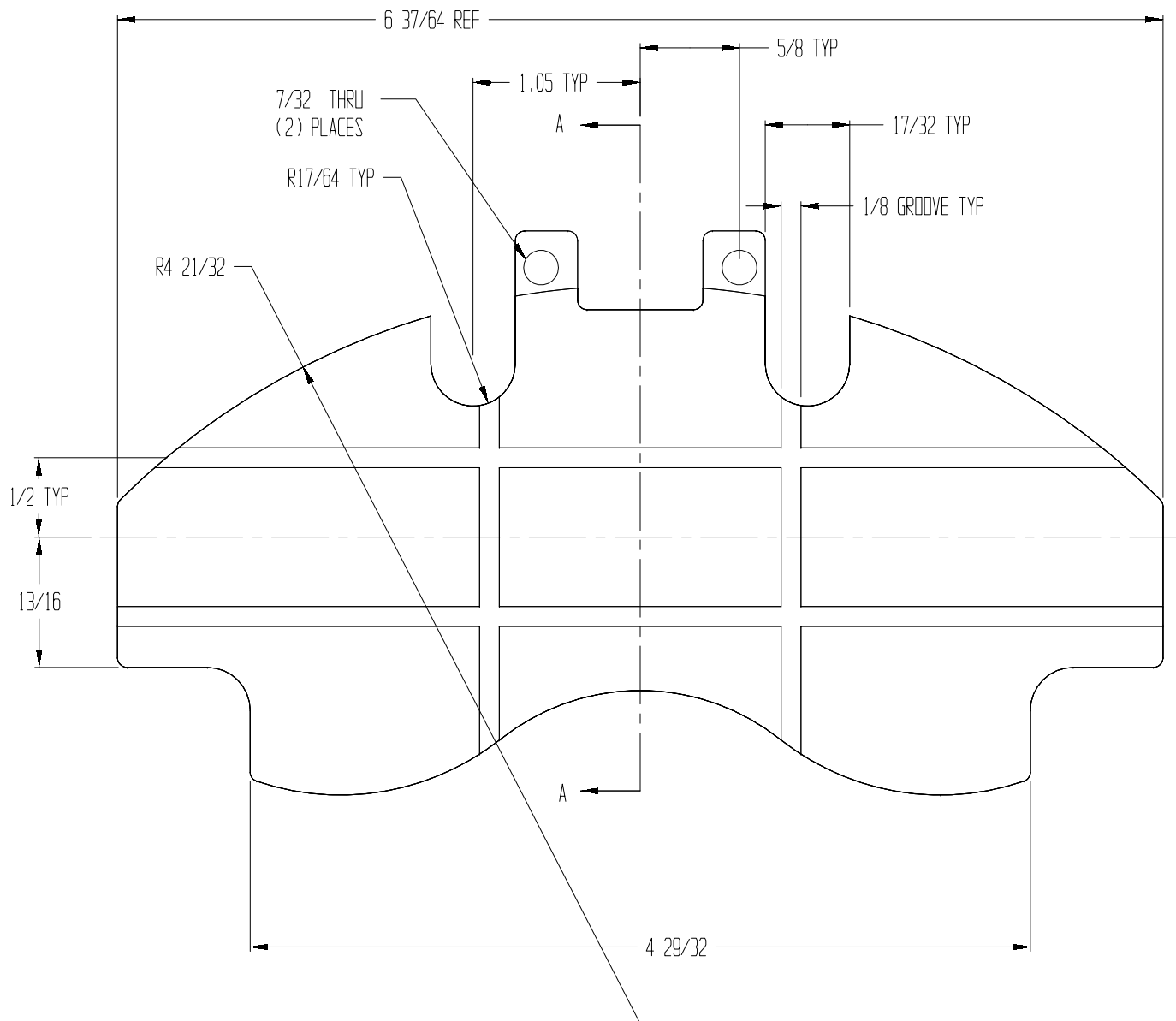
4

3

2

1

REVISIONS			
REV	DESCRIPTION	DATE	APPROVED



© SelectPart Incorporated, 2003. All Rights Reserved.
 Any use of this drawing or the information contained herein for a purpose other than as expressly authorized by SelectPart Inc. is expressly prohibited.



PART DESCRIPTION: SELECTPART FRICTION PAD "HPA"					
DRAWN BY: MWL	SIZE: C	PRT NO: HPA-PAD	DWG NO: HPA-PAD	REV: -	
CHECKED BY:	SCALE: NONE	MATERIAL: VARIOUS	SHEET: 1 OF 1		
DATE: 6 FEB 03					

4

3

2

1