

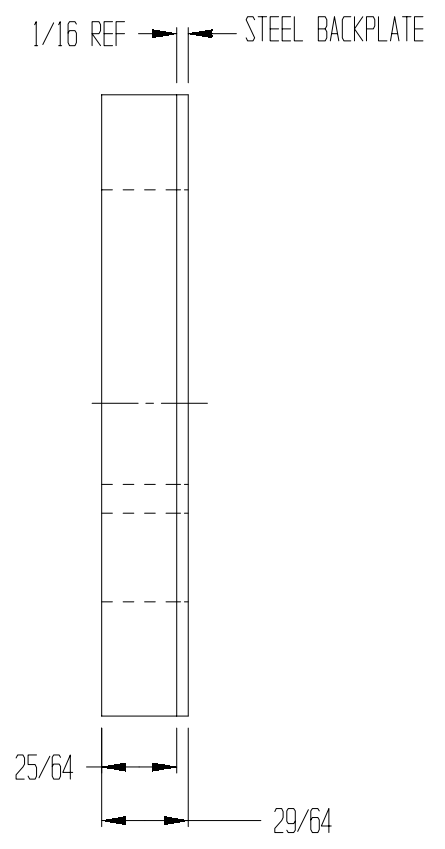
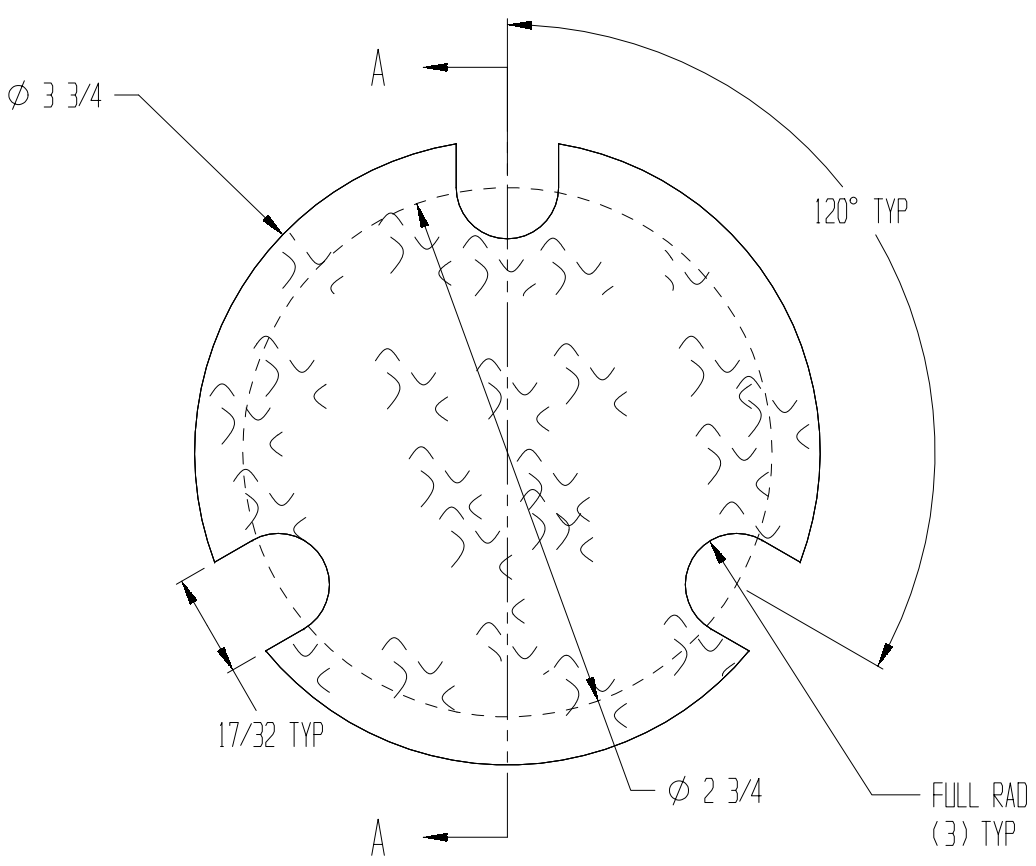
4

3

2

1

REVISIONS			
REV	DESCRIPTION	DATE	APPROVED



© SelectPart Incorporated, 2003. All Rights Reserved.  
Any use of this drawing or the information contained herein for a purpose other than as expressly authorized by SelectPart Inc. is expressly prohibited.

PART DESCRIPTION: SELECTPART FRICTION PAD "HD"					
DRAWN BY: GEL	SIZE: C	PRT NO: HD-PAD	DWG NO: HD-PAD	REV: -	
DATE: 08 MAY 2003	SCALE: NONE	MATERIAL: VARIOUS	SHEET: 1 OF 1		

4

3

2

1