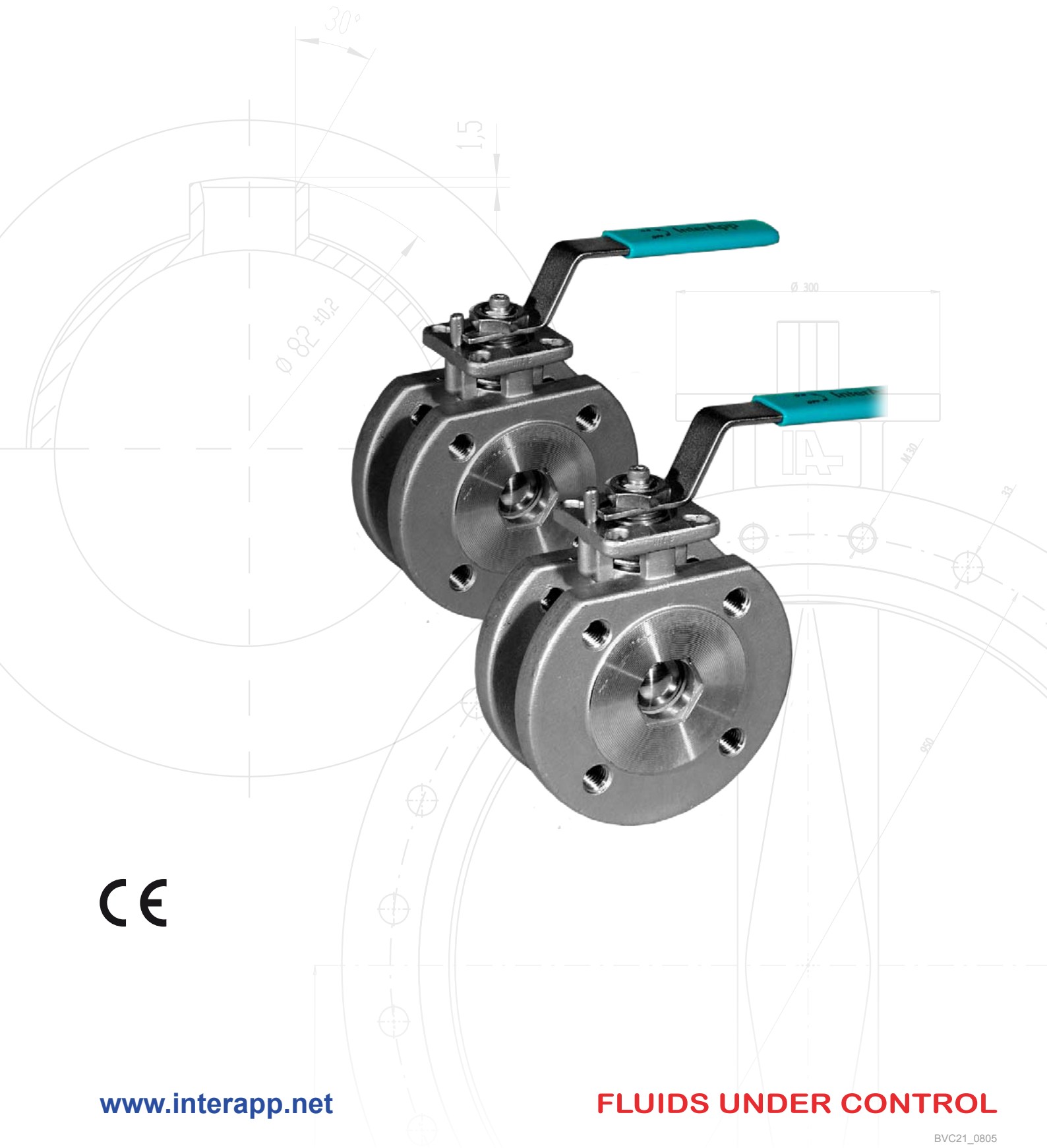


BVC21 DN15-100

Compact ball valve with ISO top flange



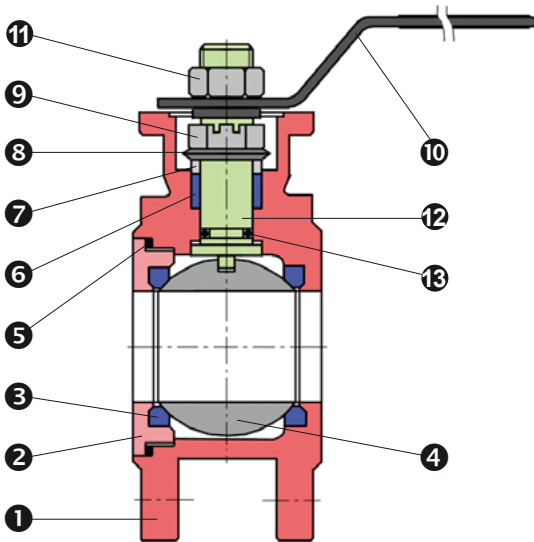
CE

BVC21 Compact ball valve DN15-100

• Characteristics:

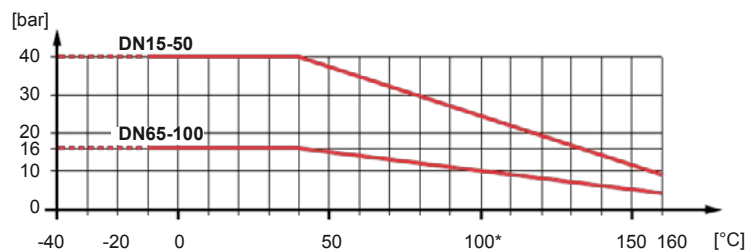
BVC21	Compact ball valve with full bore. Top flange for actuators according ISO 5211.
Connection	DN15-50 Flanges PN16/25/40, DN65-100 Flanges PN16
Max. working pressure	40 bar
Temperature range	-10°C + 160°C, Versions for lower temperatures on request
CE	The ball valves BVC21 meet the safety requirements of the pressure Equipments Directive 97/23/EC (PED) appendix 1 for fluids of the groups 1 and 2.

• Construction:



1	Body	Stainless steel CF8M (1.4408) or cast steel GS-C25 (ASTM A216 WCB)
2	End cap	Stainless steel CF8M (1.4408)
3	Seat ring white (standard)	PTFE
	Seat ring grey (for steam)	PTFE+15% glass fibre +5% carbon
4	Ball	Stainless steel AISI 316 (1.4401)
5	Gasket	PTFE
6	Gland packing (self adjusting)	PTFE
7	Gland	Stainless steel AISI 304 (1.4301)
8	Disc washer	Spring steel
9	Gland nut + tab washer	Stainless steel AISI 304 (1.4301)
10	Handlever	Stainless steel AISI 304 (1.4301)
11	Handle nut	Stainless steel AISI 304 (1.4301)
12	Blow out proof stem	Stainless steel AISI 316 (1.4401)
13	O-ring	Viton

• Pressure / temperature diagram:



* For temperatures >100°C a mounting bracket with adapter is mounted between ball valve and actuator (dependent on actuator).

For applications with steam:

- use seat ring „S“ 80% PTFE + 15% glass fibre + 5% carbon

- $t_{max} = 160^{\circ}\text{C}$, $p_{max} = 5 \text{ bar}$

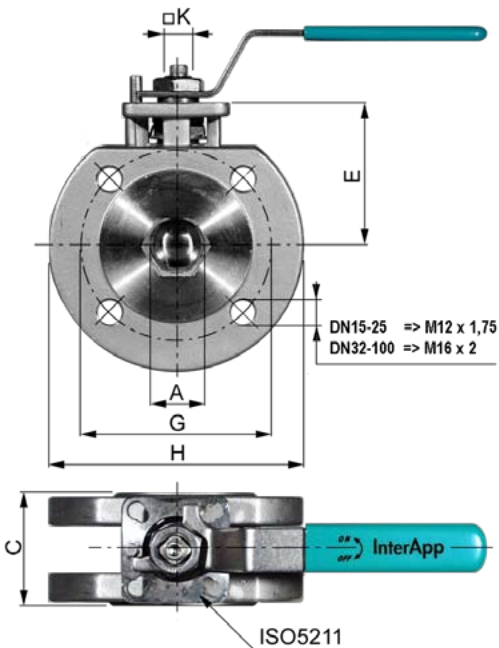
BVC21 Compact ball valve DN15-100

• Code key:

BVC 21 FF . 025 . SST
 ① ② ③ ④ ⑤ ⑥ ⑦ ⑧

① Type	BVC	Ball valve with top flange	
② Construction	21	2/2 ways, one-piece body	
③ Bore	F	Full bore	
④ Connection	F	Flanged ends	
⑤ Size	015-100	DN15-100	
⑥ Materials body	S	stainless steel	CF8M (1.4408)
	C	cast steel	GS-C25 (ASTM A216 WCB)
⑦ Material ball	S	stainless steel	AISI 316 (1.4401)
⑧ Materials seat ring	T	Seat ring white (standard)	PTFE
	S	Seat ring grey (for steam) t _{max} = 160°C, p _{max} = 5 bar	PTFE +15% glass fibre +5% carbon

• Dimensions:



	DN	A	C	G	H	E	K	ISO5211	kv[m³/h]	[kg]
BVC21FF.015.SST	15	15	40	65	95	60,0	9	F03+04	35	1,6
BVC21FF.020.SST	20	20	44	75	105	64,3	9	F03+04	46	2,1
BVC21FF.025.SST	25	25	53	85	115	64,6	11	F04+05	72	2,6
BVC21FF.032.SST	32	32	58,4	100	135	69,0	11	F04+05	105	3,6
BVC21FF.040.SST	40	38	62	110	145	76,3	14	F05+07	170	4,3
BVC21FF.050.SST	50	50	78	125	155	85,7	14	F05+07	275	6,0
BVC21FF.065.SST	65	65	100	145	185	105	17	F07	507	10,0
BVC21FF.080.SST	80	76	120	160	200	123	17	F07	905	14,1
BVC21FF.100.SST	100	96	152	180	220	132	17	F07+10	1414	10,6

Further documentation:

Pneumatic actuators, electric actuators, accessories according separate data sheets.

You can find most of these documents as well as the declaration of conformity and other certificates in several languages under „DOWNLOAD“ at our homepage



Switzerland

InterApp AG
Grundstrasse 24
CH-6343 Rotkreuz

Tel. +41 (0)41 798 22 33
Fax +41 (0)41 798 22 34
info@ch.interapp.net



Austria

InterApp Ges.m.b.H.
Kolpingstraße 19
A-1230 Wien

Tel. +43 (0)1 616 23 71 0
Fax +43 (0)1 616 23 71 99
info@at.interapp.net



Italy

InterApp Italiana S.r.l.
Via A. Gramsci 29
I-20016 Pero (Milano)

Tel. +39 02 33 93 71
Fax +39 02 33 93 7200
info@it.interapp.net



Spain

InterApp Válvulas S.A.
Igarsa 40
E-28860 Paracuellos de Jarama

Tel. +34 (0)91 6584360
Fax +34 (0)91 6581430
info@es.interapp.net



Hungary

InterApp Kft
Bécsi út 100
H-1034 Budapest

Tel. +36 (1) 436 9702
Fax +36 (1) 436 9700
info@hu.interapp.net



The technical data are noncommittal and do not assure you of any properties. Please refer to our general sales conditions.

Modifications without notice

Copyright © by InterApp